



45
kN



73 \varnothing 25
mm



3/8"
BSP



250
bar



GO/GC
3/8"
BSP



200
bar



300
bar

22.5
kN

1200
nm

24
kg

20
l/min

Hydraulic rotator FHR 4.500L is cost-effective solution generally for seasonal use in forestry, agriculture, road and building construction, general cargo and material handling.

Rotator's upper mount is applied in EYE form factor of the knuckle joint. Robust and tough built to withstand even overloads. The wide of eye is common standard width 73mm and the knuckle pin diameter 25mm.



FHL 01-A/B-73/25



FHL 01B-A/B-73/25

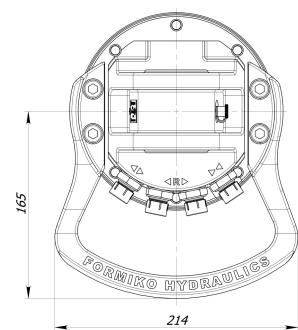
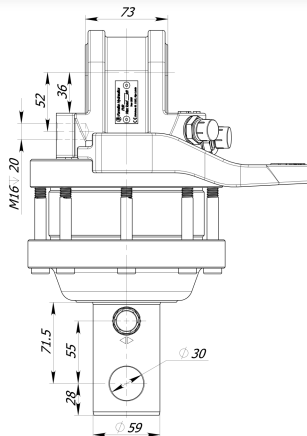
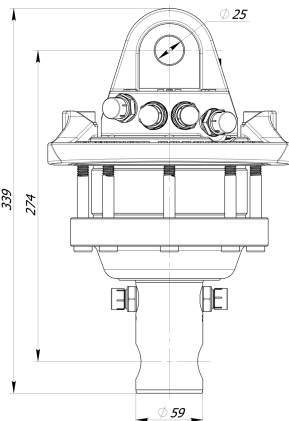
Rotator lower mount is applied in AXLE form factor to mount in grapple / tool mounting tube or adaptor and by fixing with pin. Axle (shaft) diameter is 59mm and the fixing pin (not included) diameter 30mm



\varnothing 59 \varnothing 30
mm



GO/GC
3/8"
BSP



For additional information relating to price levels and technical data, please contact sales@formiko.lv

Formiko Hydraulic s Ltd

Dzircema Str. 119 k-1,
Riga LV1055 LATVIA

+371 294 49 552

+371 264 59 383

sales@formiko.lv

www.formiko.lv

On request by special conditions there are metric nipples available for rotator FHR 4.500L



FORESTRY



AGRICULTURE



CONSTRUCTION





Hydraulic rotator FHR 4.500L is cost-effective solution generally for seasonal use in forestry, agriculture, road and building construction, general cargo and material handling.



Rotator's upper mount is applied in EYE form factor of the knuckle joint. Robust and tough built to withstand even overloads. The wide of eye is common standard width 73mm and the knuckle pin diameter 25mm.



Rotator lower mount is applied in AXLE form factor to mount in grapple / tool mounting tube or adaptor and by fixing with pin. Axle (shaft) diameter is 59mm and the fixing pin (not included) diameter 30mm



Rotator FHR 4.500L based on reliable vane type hydraulic motor which delivers torque up to 1200Nm at 25MPa.



Formoko rotator FHR 4.500L is compatible with FHL 01-A/B-73/25 and FHL 01B-A/B-73/25 series links.



Rotator for shipping is packed in compact solid cardboard box with dimensions 340x230x240mm.



We providing TWO year warranty for this rotator.

For additional information relating to price levels and technical data, please contact sales@formiko.lv

Formiko Hydraulic s Ltd

Dzirciema Str. 119 k-1,
Riga LV1055 LATVIA

+371 294 49 552
+371 264 59 383
sales@formiko.lv
www.formiko.lv

On request by special conditions there are metric nipples
available for rotator FHR 4.500L



FORESTRY



AGRICULTURE



CONSTRUCTION

